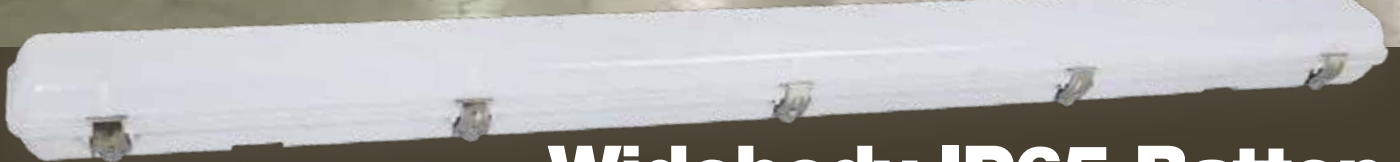




TEMPEST ECO TRI



Widebody IP65 Batten

The Tempest Eco Tri Weatherproof Batten is designed to meet your needs with precision and efficiency.

With tri-colour selection, you can effortlessly adjust between 4000K, 5000K, and 6500K to suit your desired ambiance. The dual wattage feature offers flexibility, allowing you to choose between 40W and 20W to meet your specific lighting requirements.

Engineered with a weatherproof design rated to IP65, and its high impact wide body and diffuser, rated to IK08, guarantee durability and protection against external forces.

Installation is a breeze with the quick-to-fit single-piece light module, stainless steel clips, and screws. Plus, the removable large 6mm terminal block simplifies the installation process further, making it easier and more efficient. With multiple cable entry points and knock-out provisions, the Tempest Eco Tri batten offers versatility and convenience, allowing for seamless integration into any space.

Illuminate your environment with confidence and efficiency – choose the Tempest Eco Tri batten for unmatched performance and durability.

Features

- Tri-colour 4000K/ 5000K/ 6500K selectable
- Dual Wattage 40/20W
- Weatherproof design rated to IP65
- High impact wide body and diffuser rated to IK08
- Quick-to-fit single piece light module
- Stainless Steel clips and screws
- Removable large 6mm terminal block for easier installation
- Multiple cable entry points and knock-out provisions



Installation Options

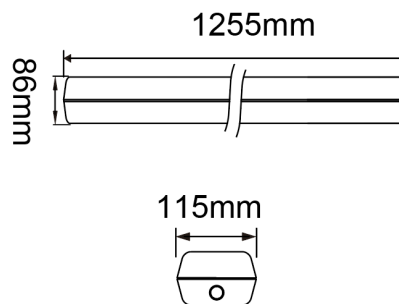
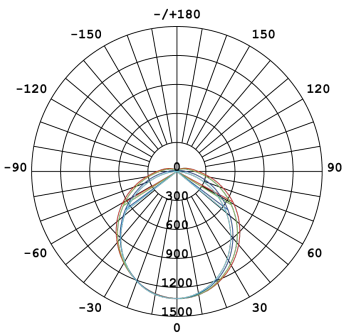
- Surface mounted
- Suspended (suspension kit required)

Includes

- Suspension brackets
- Cable gland

Applications

- Industrial, commercial car parks, warehouses



Product Data

Order Code	Wattage	CCT	Lumen Output	Length	Size
211062	40/20W	4000K/ 5000K/ 6500K	4000/2000Lm	1255mm	L1255*W115*H86mm

[1] Voltage: 220~240V

[2] Operating Frequency: 50/60Hz

[3] Operating Temperature: -25°C to +45°C