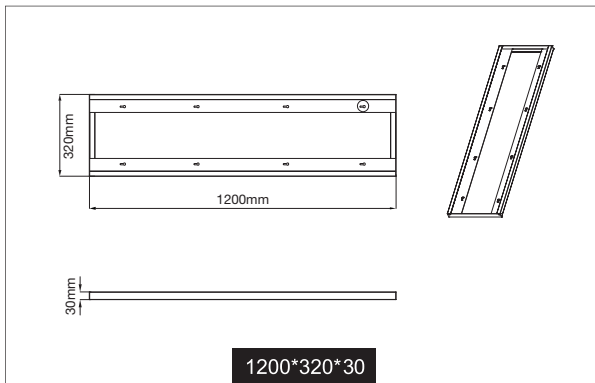
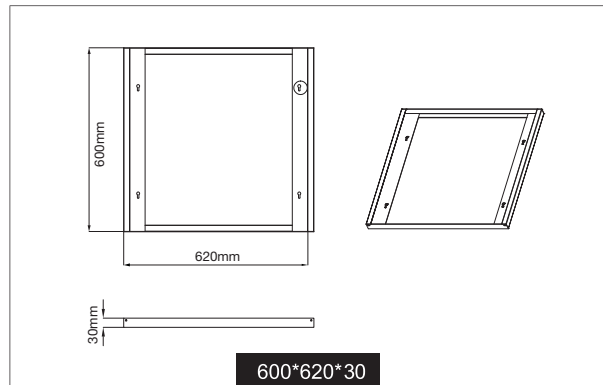
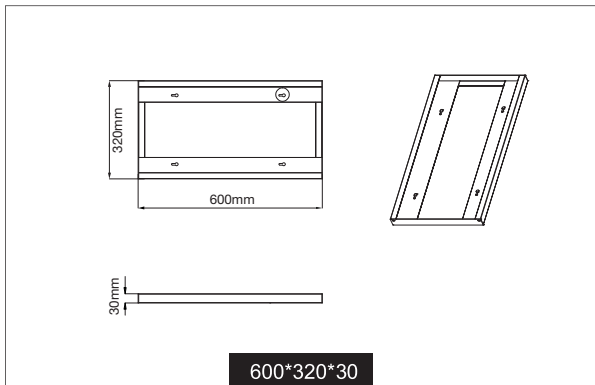


Features

- Designed for use with Energetic Destiny LED panels
- Designed to house LED panel only (Driver must be remotely mounted)
- White powder coated finish
- Panel retaining plug included



Shallow Surface Mount Frame



Order Code	To Suit Size of Energetic LED Panels			Size	Weight
	L(mm)	W(mm)	H(mm)	LxWxH(mm)	(kg)
302017	≤596	292-295	≤15	600x320x30	0.54
302018	≤596	592-595	≤15	600x620x30	0.63
302019	≤1196	292-295	≤15	1200x320x30	0.99
302022	≤1196	592-595	≤15	1200x620x30	1.35