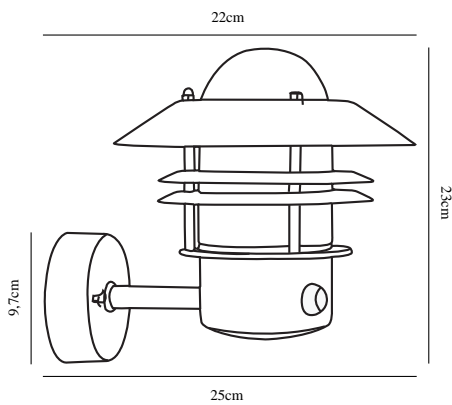


# BLOKHUS UP SENSOR | WALL LIGHTING | STAINLESS STEEL

25031034

nordlux®



Voltage (V): 230 Volt  
IP degree if the fixture includes  
two types of IP degree: IP54  
Maximum compatible bulb  
wattage (W): 60W  
Class (Class I, Class II, Class III):  
Class 1 (Earth contact)  
Lampholder type (eg, E27/E14,  
etc): E27  
Parallel connection possible?:  
True

Color: Stainless steel  
  
Height (cm): 23  
Shade Diameter (cm): 22  
Projection (cm): 25  
  
EAN: 5701581120044  
TUN: 5061472  
Item Number: 25031034  
Pcs Per Master Carton: 3

Sales Box Height (cm): 22.5  
Sales Box Width(cm): 22  
Sales Box Depth (cm): 23  
Sales Box Volume m<sup>3</sup> : 0.0114  
Net weight of the luminaire (kg):  
1.405

Primary material: Stainless steel  
Secondary material: Glass  
Color of the Glass: Clear

- Build-in parallel connection • Build-in daylight and motion sensor
- Build-in parallel connection

A classic light fixture from Nordlux, suitable for mounting in the driveway, at the entrance, on the terrace, or on the patio. This model is designed with an upward facing lampshade. The built-in sensor ensures that the light turns on automatically when it detects motion nearby. At the same time, it ensures that the light is not turned on unnecessarily.

Maintenance: Treat with acid-free oil 3-4 times a year. We do not recommend stainless steel light fixtures for aggressive environments.