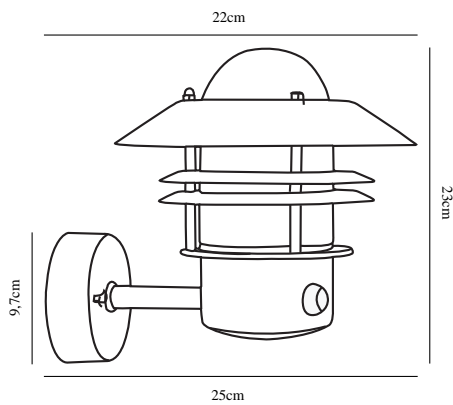


BLOKHUS UP SENSOR | WALL LIGHTING | BLACK nordlux®

25031003



Voltage (V): 230 Volt
IP degree if the fixture includes two types of IP degree: IP54
Maximum compatible bulb wattage (W): 60W
Class (Class I, Class II, Class III): Class 1 (Earth contact)
Lampholder type (eg, E27/E14, etc): E27
Parallel connection possible?: True

Color: Black
Height (cm): 23
Shade Diameter (cm): 22
Projection (cm): 25
EAN: 5701581219274
TUN: 5383816
Item Number: 25031003
Pcs Per Master Carton: 3

Sales Box Height (cm): 22.5
Sales Box Width(cm): 23
Sales Box Depth (cm): 22
Sales Box Volume m³ : 0.0114
Net weight of the luminaire (kg): 1.405

Primary material: Galvanized steel
Secondary material: Glass
Color of the Glass: Clear

- Build-in parallel connection
- Build-in daylight and motion sensor
- Build-in parallel connection

A classic light fixture from Nordlux, suitable for mounting in the driveway, at the entrance, on the terrace, or on the patio. This model is designed with an upward facing lampshade. The built-in sensor ensures that the light turns on automatically when it detects motion nearby. At the same time, it ensures that the light is not turned on unnecessarily.