

# Milan

UGR<19

## Track Light



Introducing the Milan Track Light, crafted to elevate your space with quality and performance, this luminaire is set to redefine your lighting experience.

With a high-quality CRI of 90, the Milan Track Light ensures optimal visibility, rendering colours with exceptional accuracy and clarity. It's Ultra-Low Glare Rating UGR<19 is meticulously designed to minimize visual strain and create a comfortable environment for all.

Consistency is key, and the Milan Track Light delivers just that with its SDCM 3, ensuring uniform colour across all fixtures for a harmonious lighting installation. Plus, with

flicker-free technology, you can enjoy visual comfort and consistent lighting performance without any unwanted flickering.

Powered by high-quality COB LED chips, this luminaire offers long-lasting performance and superior brightness, and with the added peace of mind of a 5-year warranty, you can trust in the durability and quality of the Milan Track Light.

**Elevate your lighting experience with the Milan Track Light – where quality, performance, and peace of mind converge to illuminate your world.**

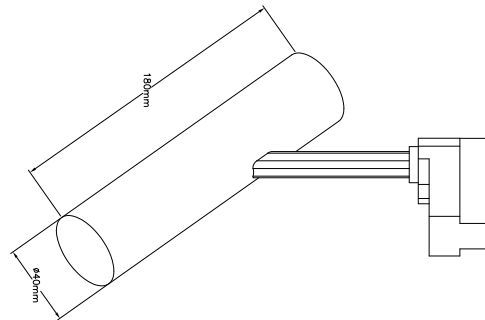
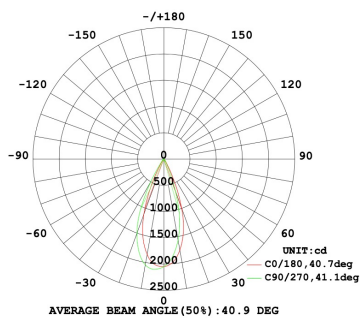
**Features**

- High quality colour rendering CRI90 providing optimal visibility
- Ultra-Low Glare UGR19 designed to minimize discomfort and glare
- SDCM3 for consistent and uniform colour ensuring coherence in lighting installations
- Flicker Free for visual comfort and consistent lighting performance
- High quality COB LED Chips for long lasting performance
- Peace of mind with 5 Years Warranty ensuring durability and quality
- Suits 3 circuit universal track



**Applications**

- Commercial and residential, retail stores



**Product Data**

Order Code	Wattage	CCT	Lumen Output	Beam Angle	Size	Colour
413573	10W	3000K	980Lm	40°	L180*D40mm	White
413573BK	10W	3000K	980Lm	40°	L180*D40mm	Black
413574	10W	4000K	1050Lm	40°	L180*D40mm	White
413574BK	10W	4000K	1050Lm	40°	L180*D40mm	Black

[1] Voltage: 220~240V

[2] Operating Frequency: 50/60Hz

[3] Operating Temperature: -25°C to +45°C