

HiLux Tri-CCT Highbay Installation Guide

WARNING:

- THE PRODUCT MUST BE INSTALLED BY A QUALIFIED ELECTRICIAN.
- THE POWER SUPPLY MUST BE TURNED OFF BEFORE INSTALLATION.
- NO WARRANTY WILL BE ACCEPTED IF THIS PRODUCT IS NOT INSTALLED BY A QUALIFIED ELECTRICIAN.
- THE LIGHT SOURCE CONTAINED IN THIS LUMINAIRE SHALL ONLY BE REPLACED BY THE MANUFACTURER OR HIS SERVICE AGENT OR A SIMILAR QUALIFIED PERSON.
- THE EXTERNAL FLEXIBLE CABLE OR CORD OF THIS LUMINAIRE CANNOT BE REPLACED; IF THE CORD IS DAMAGED, THE LUMINAIRE SHALL BE DESTROYED.
- DO NOT OPERATE THE PRODUCT WITH A DAMAGED LENS; THE DAMAGED LENS SHOULD BE REPLACED BY THE SERVICE AGENT.
- THE DRIVER CAN'T BE REPLACED.
- WHEN PRODUCTS ARE INSTALLED IN HIGH WIND ENVIRONMENTS, APPROPRIATE INSTALLATION/FASTENING METHODS MUST BE APPLIED SO THAT THE PRODUCT MOUNTING POINTS ARE NOT DAMAGED DUE TO VIBRATION, MOVEMENT OR CORROSION.
- GOOD PRACTICE DOES NOT RECOMMEND CONTINUOUS USE WITHOUT APPROPRIATE SWITCHING CYCLES.



Product Specification

Model	Size (mm)	Wattage	Color Temp(K)	Initial Lumens	Voltage	Frequency	Current	Ta
HBB7-TD 150WM	300x168mm	150/120/100/ 70W	3000/4000 /5000K	24000/19200/16000/11200lm@3000K	220-240V~	50Hz	Max.0.9A	50°C
				26250/21000/17000/12250lm@4000K				
				24750/19800/16500/11550lm@5000K				
HBB7-TD 200WM	360x168mm	200/180/150/ 120W	3000/4000 /5000K	32000/28800/24000/19200lm@3000K	220-240V~	50Hz	Max.1.2A	50°C
				35500/31500/26250/21000lm@4000K				
				33000/29700/24750/19800lm@5000K				

Installation of HiLux Tri-CCT Highbay

1

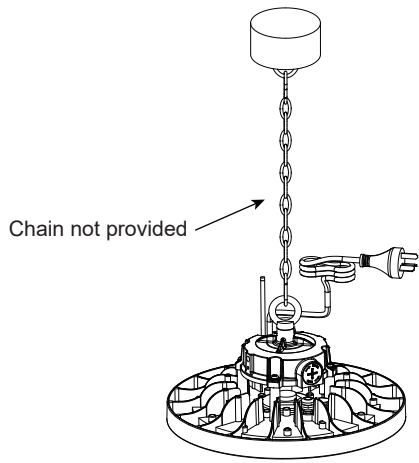
1. Disconnect mains supply before installation or removing cover.
 ① Loosen the screw;
 ② Tighten the eyebolt;
 ③ Tighten the screws.

2

2. Please rotate the plastic cover back after wattage selection.

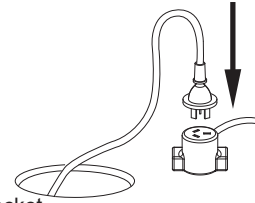
PIN1		PIN2		
Color Temp(K)		Power for HBB7-TD 150WM	Power for HBB7-TD 200WM	
1	3000K	1	150W	200W
		2	120W	180W
		3	100W	150W
		4	70W	120W
2	4000K	1	150W	200W
		2	120W	180W
		3	100W	150W
		4	70W	120W
3	5000K	1	150W	200W
		2	120W	180W
		3	100W	150W
		4	70W	120W

3



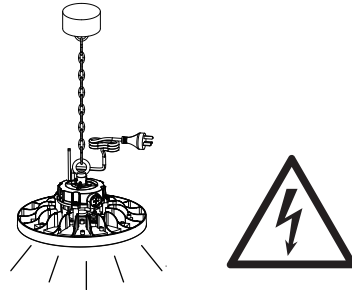
3. Hook the end of the chain into the ring on the top of the luminaire.

4



4. Insert plug into socket.

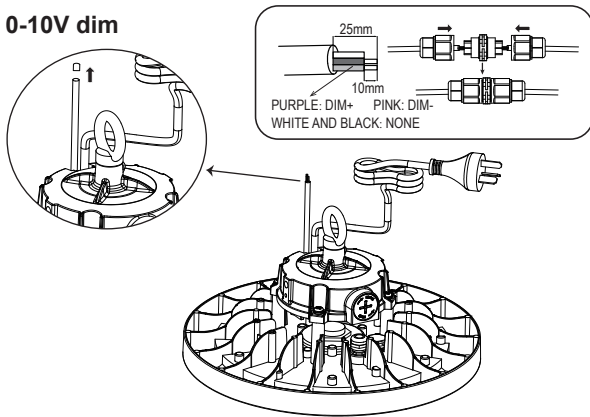
5



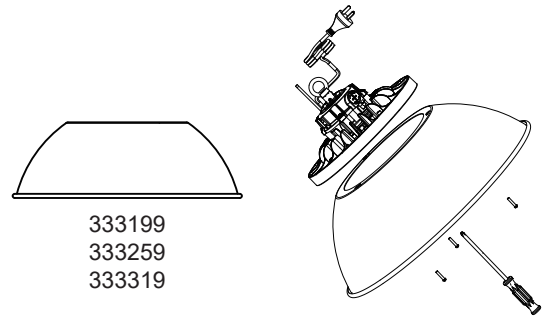
5. Reconnect mains supply.

Accessories (Please order separately)

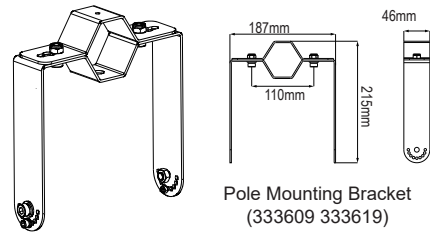
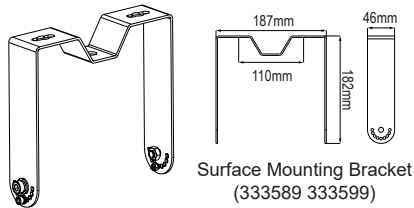
0-10V dim



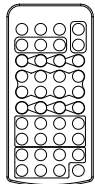
Reflector



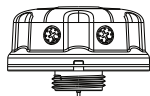
Mounting Bracket



Motion Sensor



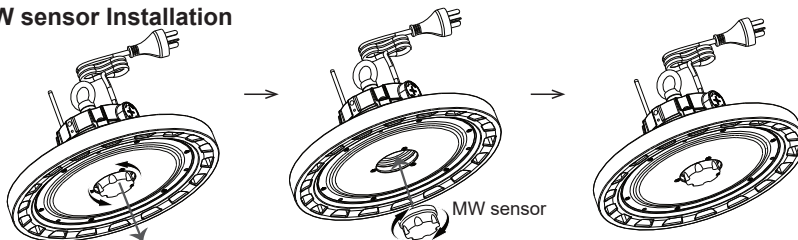
Remote Controller
(213979)



Sensor Kit
(333749)

Sensor Parameters	
Operating Frequency	5.8GHz ±75MHz
Transmitting power	<0.3mW
Hold time	5s/30s/1min/3min/5min/10min/20min/30min
Stand-by Period	0s/10s/30s/1min/5min/10min/30min/60min/+∞
Detection Area	25%/50%/75%/100%
Daylight Sensor	2Lux/10Lux/30Lux/50Lux/80Lux/120Lux /200Lux/250Lux/300Lux/350Lux/400Lux/Disable
Detecting Radius	≥3m/9ft
Mounting Height	15m/49.21 Max.

MW sensor Installation



Energetic Lighting Australia Pty Ltd
Unit 1, 350 Edgar Street, Condell Park,
Sydney, NSW, 2200, Australia
Tel: 1300 215 598
E-mail: info@energeticlighting.com.au
Web: energeticlighting.com.au